

ExcluLouvre® 2 & 3

Installation & Fitting



Supplied assembly

Packaged frame fixings, fittings instructions, parts list and demountable frame fittings (if required) are attached to the frame.

Stackable louvre systems are all individually made so check that the ID numbers match on the frame and the panels. The ID number is stamped on the frame and marked on the packaging of the panels by width and position.

Check frame will fit opening

Before removing any existing structure, please make sure that the frame will fit the opening by checking the sizes ordered against the supplied frame. You should also check that the louvre panel system is as your order.

Tools required for installation

- Wedges and blocks
- Shims/packers
- 17mm ratchet and/or spanner
- Pozi screwdriver
- Kinmar® permanent driver (KM10P)
- Socket for M10 security fixing bolts
- PZ3 driver for M6 security screws
- Security socket supplied
- Set square
- Spirit level
- Mastic (for sealing between frame and structure)
- Drill and suitable masonry bit

Handling and care

ExcluLouvre® is usually delivered secured to a pallet on a curtain-sided lorry and can be unloaded using a forklift truck. Care must be taken when unloading, especially that the forks are positioned correctly, and where possible extend past the pallet. Ensure that the pallet is set down on even ground making sure there are no objects on the floor that will damage the panels or frame.

Nothing should be placed on top of the panels or frame,. Even though the panels and frame are made of steel they can be damaged and bent if care is not taken.

There are a few points to remember:

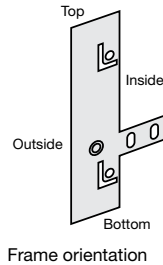
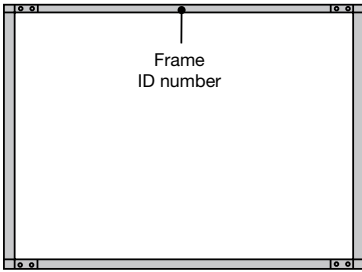
- Demountable frames are supplied unassembled.
- Take care not to damage the lugs or anything that protrudes on the surface.
- Do not store in exposed places for long periods and protect from weather.
- Protect panels and frame from mud, stray mortar and debris.
- Please be aware that these panels may be heavy and should be moved in accordance with manual handling regulations.

Storage

Panels and frames which are being stored for long periods on pallets should be checked regularly to ensure that no damage to the panels and frames has occurred.

- Do not store or stack anything on top of the frames/panels.

Supplied with the louvre assembly

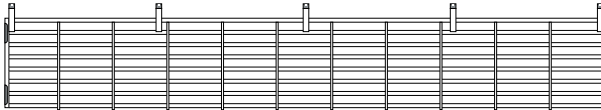


A bag containing frame fixings, fitting instructions, parts list, parts and demountable frame fittings (if required) is attached to the frame.

Stackable Panels



Top panel (1 off)



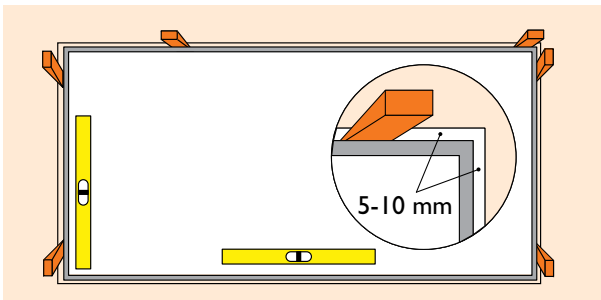
Top intermediate panel



Intermediate panels (quantity to suit required height)



Bottom panel (1 off)



It is important to ensure that the frame is plumb square level.

Preparation and fitting to the structural opening

Measure and check the structural opening in several places to ensure that it is square, level and is to the correct dimensions.

Louvre frame assemblies are fixed into:

For Security Rating Level 2:

Timber (hardwood), blockwork, brickwork/ concrete blockwork, steelwork or ExcluLouvre® SR2 rated.

A minimum of 8 fixings per frame are required with a minimum of 3 fixings on each side (either through frame fixing or anchorage cleats) suitable for the structure you are going to fix into.

For Security Rating Level 3:

Brickwork/concrete blockwork, steelwork or ExcluLouvre® 3 SR3 rated.

A minimum of 10 fixings per frame are required with a minimum of 3 fixings on each side (either through frame fixing or anchorage cleats) suitable for the structure you are going to fix into.

Fixing

The frame should be inserted into the structural opening from the outside of the building.

Hold the frame in place using wedges. The wedges must be in line with either the horizontal or vertical members of the frame as incorrect positioning can lead to the frame being bent or distorted.

For timber (hardwood) use No. 8 woodscrews.

For brickwork, concrete blockwork or reinforced concrete use M12 x 75mm sleeve anchors.

Note: M10 chemical fixings can be used.

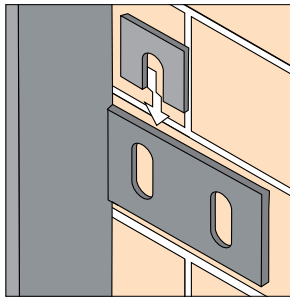
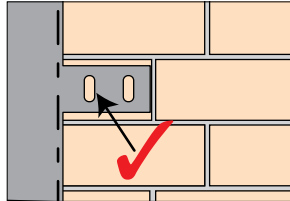
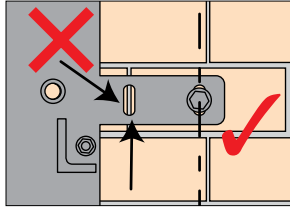
If fixing to steelwork use M10 hexagonal head set screws to the length required.

The fixings must be able to support the weight of the louvre panel assembly. The wrong type of fixing can cause the frame to not sit securely and bring about future problems.

The frame can be supplied fully welded or as a demountable frame.

Assemble the demountable frame on a flat surface using supporting blocks to prevent damage during assembly. Ensure that frame corner ID marks all correspond. Use the supplied hexagonal head bolts and washers.

Ensure that the frame is square and true. Do not over-tighten the bolts.



For the louvre panels to assemble and fit correctly, it is imperative that the frame is bolted in square, level and without distortion.

Despite the heavy duty nature of the frame, distortion can take place.

The frame should be fixed to the structural opening either using the holes in the frame for through frame fixing or if fitted through the lugs welded to the frame (use only one fixing per lug).

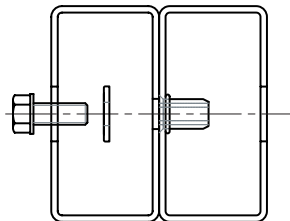
If using the lugs, the frame must be fixed with the hole nearest, as possible, to the centre of a brick to ensure maximum secure fixings.

NOTE:

Gaps between structural opening and frame must be packed using steel shims (not supplied).

For frames up to 1000mm high, a combination of through frame fixings and anchorage cleats can be used to the sides and/or top and bottom to achieve the minimum of 8 fixings.

Method for fixing multi-banks



When a multi-bank louvre or adjacent doorset is supplied, this method of fixing is to be used.

TOP PANEL (1 off)

The top panel will be identified on the packaging and will be shorter than the other panels. Panel heights can vary from 100mm to 150mm in increments of 1mm.

This is the last panel to be fitted.

This panel is pushed in to fit rather than drop fitted and secured from the front using M6 button head security screws (supplied).

TOP INTERMEDIATE PANEL

The top intermediate panel will be identified on the packaging. Panel heights can vary from 250mm to 350mm in increments of 50mm.

This panel is the penultimate panel to be fitted.

INTERMEDIATE PANELS
(Quantity to suit required height)

The intermediate panels will be identified on the packaging. Panel heights can vary from 150mm to 350mm in increments of 50mm.

Standard panel height = 250mm.

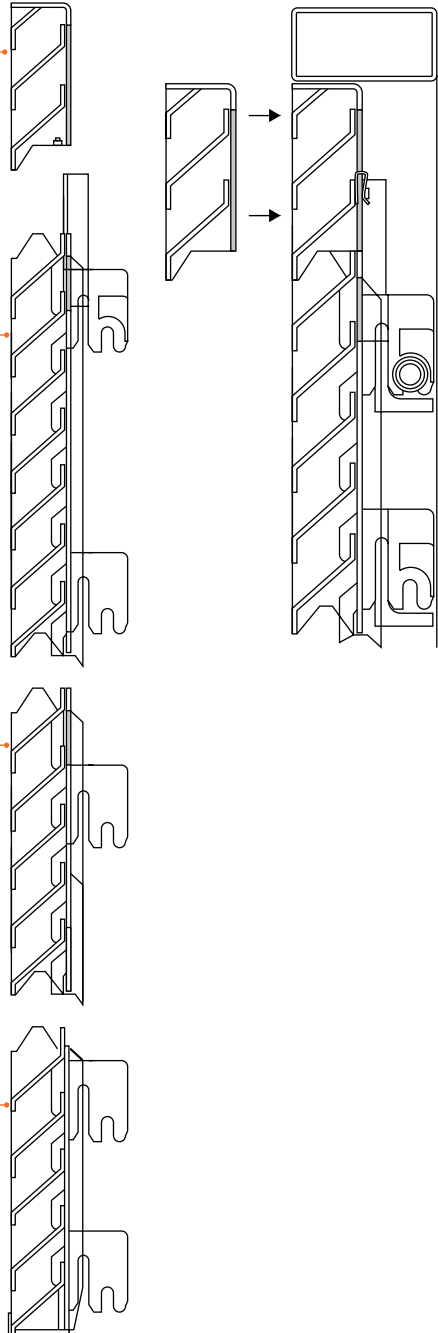
Fit all standard height panels before fitting any non-standard height panels.

These panels will tend to make up most of the assembly and fit easily on top of the bottom panel and on top of each other.

BOTTOM PANEL (1 off)

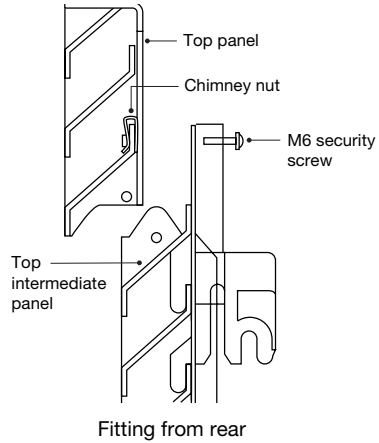
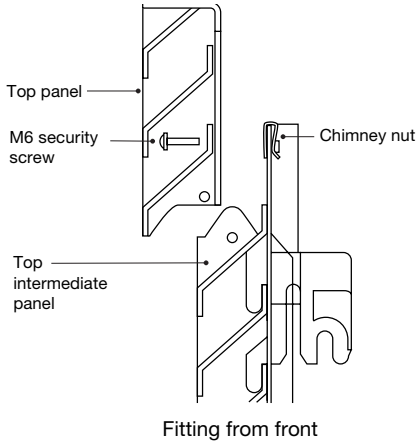
The bottom panel will be identified on the packaging. Fit this panel first. This will slot in to position. Ensure the panel is square, level and even.

Only use supplied M10 security set screws when assembling the panels otherwise the security rating will be invalid.



FITTING FROM FRONT OR REAR

When fitting from the front ensure that the chimney nuts are fitted to the brackets on the top intermediate panel. Using the PZ3 driver through the hole in the front of the louvre blade locate and tighten the M6 security screws.



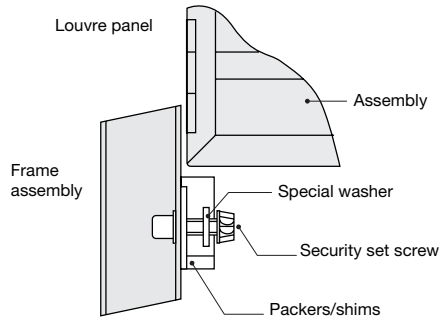
TWO OR MORE PANELS WIDE

If the assembly is to be of two or more panels wide, this can be achieved by bolting frames together to achieve the required width and thus forming a single structure. Through frame fixings only to be used when bolting frames together.

Depending on the overall width being spanned these frames may also be fixed top and bottom to the structure using M12 x 75mm sleeve anchors (supplied).

Before tightening the bolts etc. check that the frame is square, straight and true.

The panels are made with a 5mm side clearance. Use the supplied packers/shims to pack out each side at all of the fixing points.



Typical for all panel fixings