

VentaDoor® Doorset

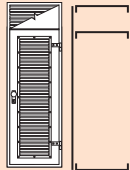
Installation & Fitting



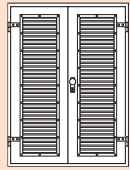
Instructions are for the following options:



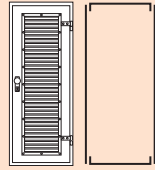
Double doorsets: Plain or louvered overpanel



Single doorsets: Plain or louvered overpanel



Double doorsets: No overpanel



Single doorsets: No overpanel

Please follow all the instructions carefully

Sunray doorsets are individually made. Components are marked with a unique number for identification. ID is at the top edge of the door and on the anchorage cleat of each jamb.

Before removing the existing doorset, please make sure that the new door will fit the opening by checking the sizes ordered against the new door. Check that the new doorset is correct to what you have ordered.

Tools and accessories required for installation

- Wedges and blocks
- Shims/packers (not supplied)
- 10mm masonry drill bit
- 13mm spanner
- Pozi screwdriver
- Measuring taps
- Plumb line
- Spirit level

Handling

VentaDoor® doorsets are supplied with the frame unassembled which means that they can be manually unloaded and handled.

- Take care not to damage the hinges.
- Do not store in exposed places for long periods and protect from weather.
- Protect doorsets from mud stray mortar and debris.

Order of assembly

- Assemble the frame
- Fix the frame into the structural opening
- Fit overpanels if supplied
- Hang the doors
- Adjust the push bar

Assemble the frame on a flat surface using supporting blocks to prevent damage to the hinges.

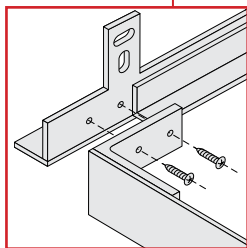
Tightly secure each horizontal part to the verticals using the hexagon headed bolts and washers (supplied). Do not over-tighten the bolts.

Start Here

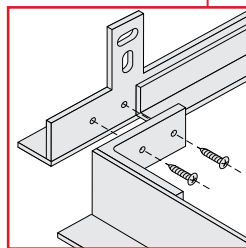
1

Assemble the frame

Tightly secure each horizontal part to the verticals using the hexagonal headed bolts and washers (supplied) do not over-tighten the bolts.

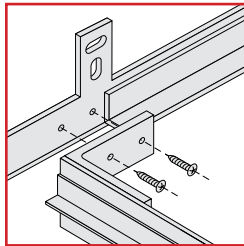


1a (i)
Frame head
(when fitting
overpanel)

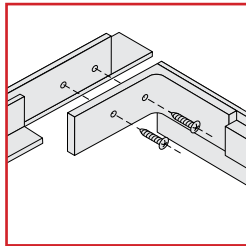


1a (ii)
Frame head
(when no
overpanel
is supplied)

1b Transom (for supporting
overpanel, if supplied)



1c Threshold



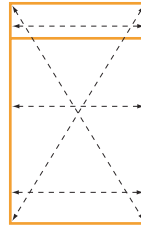
2

Fix the frame into the structural opening

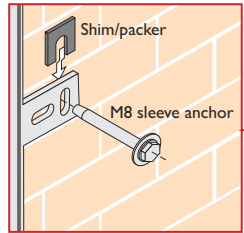
Lift frame into the structural opening and support packing out with shims/packers where necessary. When in position check that the threshold is level and that one side and the front is plumb. Then check that diagonal dimensions are equal and that distances between the vertical frame parts are equal.

Drill through an appropriate hole in each fixing lug using a 10mm masonry drill bit, avoiding mortar lines, to a minimum depth of 85mm.

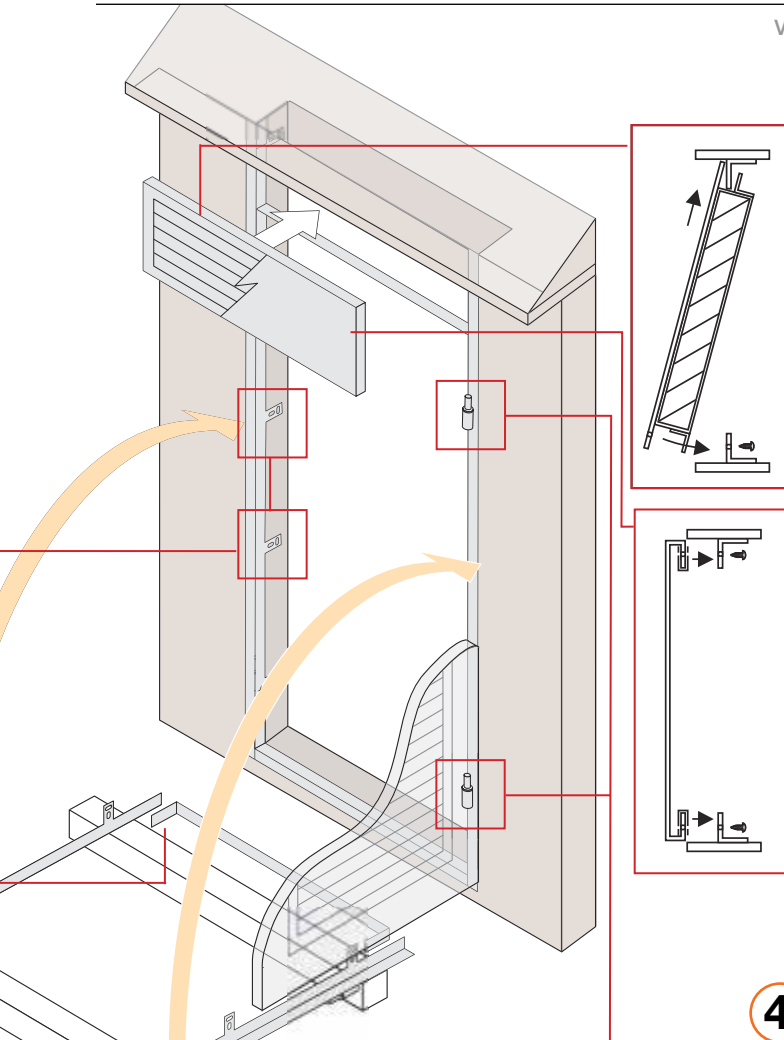
Fix frame into structural opening with M8 sleeve anchors and large washers, supplied, using shims/packers where necessary.



The frame must be square and level before bolting into place.



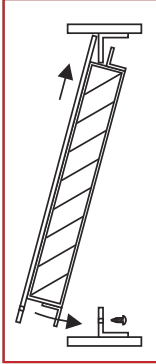
2 Typical frame fixing to structural opening.

**3**

Fit the overpanels

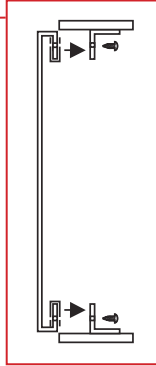
3a) Louvred overpanels

Slot the top of the over panel into place and fix the sides and bottom into place using supplied screws.



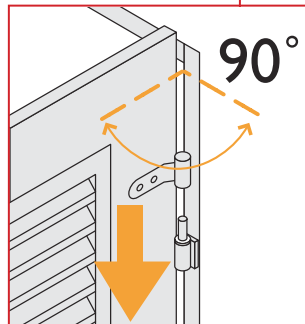
3b) Plain overpanels

Slide the spring clips over each screw hole. Push overpanel into place and fix using supplied screws.

**4**

Hang the doors

The bottom hinge pin is longer than the top allowing easy alignment and location. Place the door at 90° to the frame, align the hinges and drop into position.

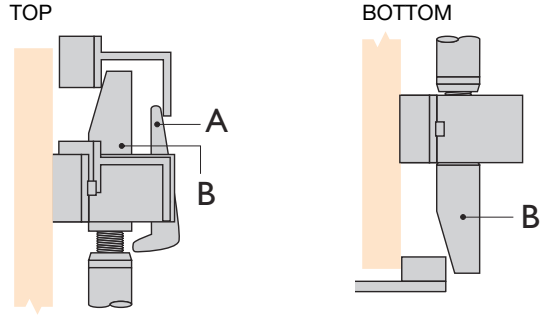


5

Panic bar set-up

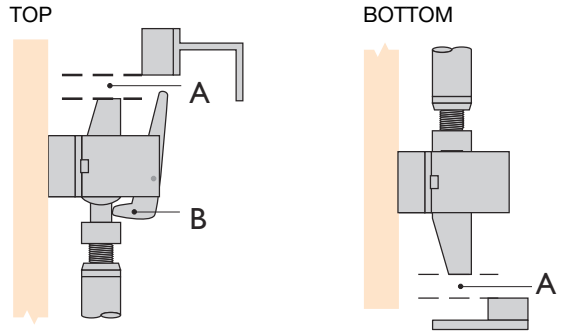
(1) PULL THE DOOR CLOSED AND CHECK:

- That the top catch (A) releases against the keeper plate.
- That both top and bottom shoots (B) have adequate overlap.



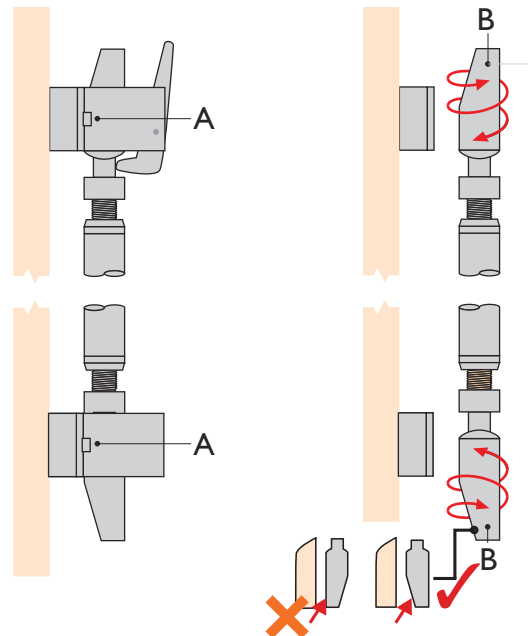
(2) DEPRESS THE PUSH BAR AND OPEN THE DOOR ENSURING:

- That both shoots fully withdraw (A) with adequate clearance.
- The top catch (B) engages and retains the shoot in the withdrawn position. Correct operation of the push bar mechanism is ensured.



(3) TO ADJUST:

- Remove the retaining screws (A).
- Rotate (B) to shorten or lengthen as required. Full rotation must always be made ensuring that the angled side of the shooter faces the door.



VentaDoor® troubleshooting

Problem	Possible cause	Corrective action
Doors will not drop onto hinges.	Male and/or female hinges bent.	Re-align.
	Frame bowed.	Shim frame to bring square.
Doors will not close.	Mortar fouling closing surface.	Clean out and re-try.
Doors will not shut to frame at top and/or bottom.	Frame out of square.	Correct by shimming as necessary.
	Door bent in storage.	Straighten.
Draw bolts will not engage in the frame.	Debris fouling receiving hole.	Clean out and re-try.
	Frame not level or square.	Correct by shimming.
Door leaves not level at centre.	Frame not level or square.	Correct by shimming.
	Nylon spacers missing.	Fit nylon spacers.

For further technical details of all our locking systems refer to www.sunraydoors.co.uk

Sunray 6000 Hasp and Staple installation

Ensure that the 26mm diameter hole is positioned in line with the square drive on the locking system.

